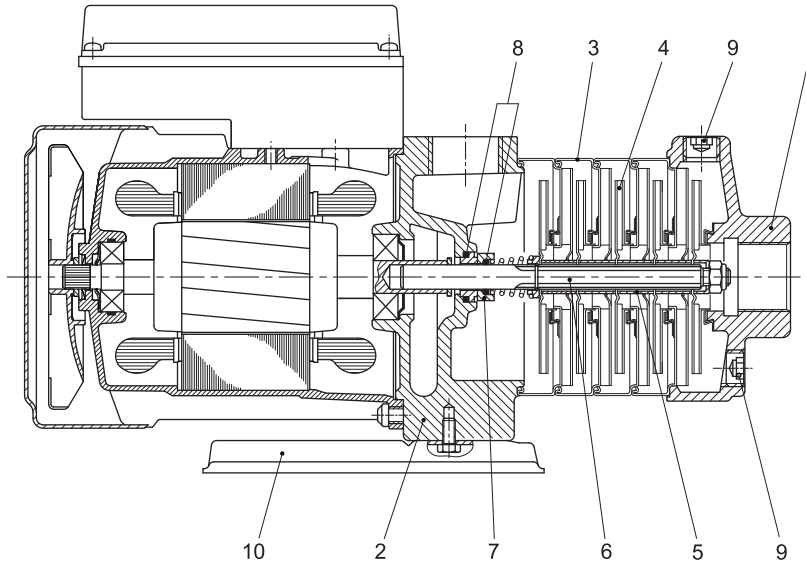
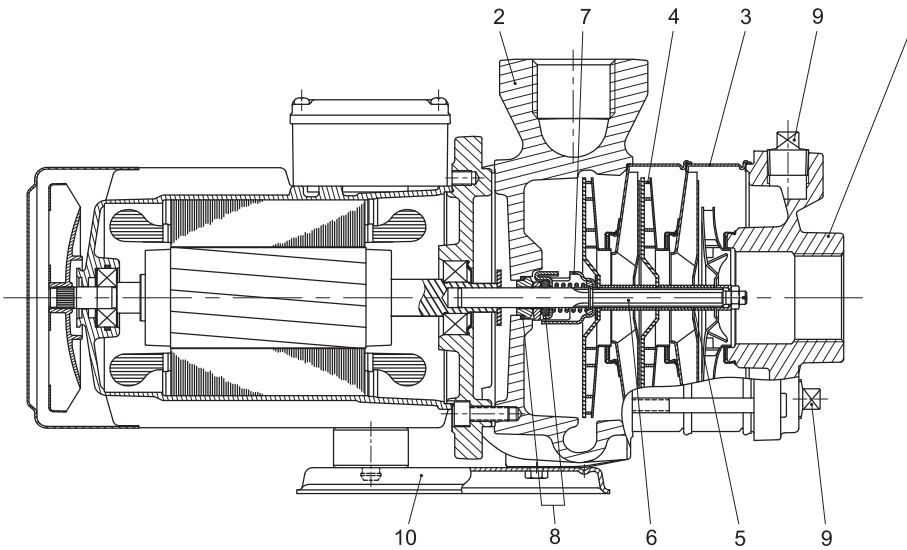


Material construction

CB(I) 2,4



CB 8,12



Materials

Pos.	Description	Materials	
		CB	CBI
1	Suction chamber	Cast iron	SS304
2	Pump head	Cast iron	SS304
3	Intermediate chamber	SS304	SS304
4	Impeller	SS304	SS304
5	Spacing pipe	SS304	SS304
6	Shaft	SS431	SS431
7	Mechanical seal	Silicon carbide / Carbon	Silicon carbide / Carbon
8	O-ring	EPDM	EPDM
9	Drain and priming plug	Steel	SS304
10	Base plate	Steel	SS304