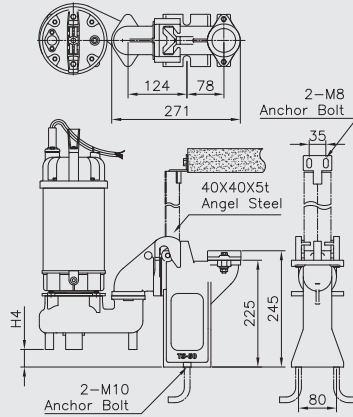
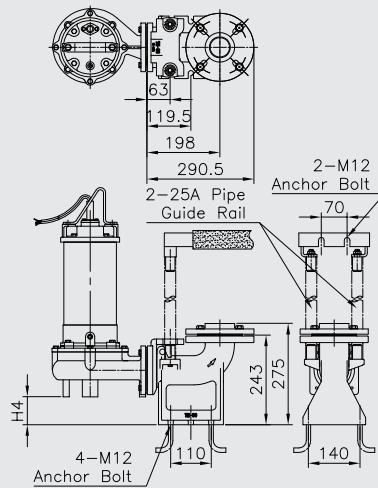


## TS



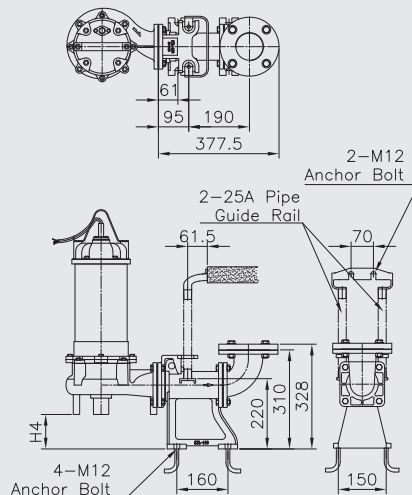
TS-50 Guide Rail			
Model	Output		Dimensions
	HP	kW	H4(mm)
SV-03-50	1/3	0.25	37
SV-05-50	1/2	0.37	37
SV-10-50	1	0.75	37
SA-05-50	1/2	0.37	37
SA-10-50	1	0.75	37
SC-05-50	1/2	0.37	75
SC-10-50	1	0.75	75
HM-05-50	1/2	0.37	65

## TM



TM-50(80) Guide Rail			
Model	Output		Dimensions
	HP	kW	H4(mm)
SV-20-50/80	2	1.5	76
SV-30-50/80	3	2.2	76
SA-20-50/80	2	1.5	76
SA-30-50/80	3	2.2	76
SD-03-50	1/3	0.25	78
SD-05-50	1/2	0.37	78
SD-10-50	1	0.75	78
SD-20-50/80	2	1.5	65
SN-30-50/80	3	2.2	65
SC-20-50/80	2	1.5	60
SC-30-50/80	3	2.2	60
SVN-05-50	1/2	0.37	76
SVN-10-50	1	0.75	76
SVN-20-50/80	2	1.5	76
SVN-30-50/80	3	2.2	76

## TL



TL-80(100) Guide Rail			
Model	Output		Dimensions
	HP	kW	H4(mm)
SV-50-80/100	5	3.7	110
SV-75-80/100	7.5	5.5	110
SA-50-80/100	5	3.7	110
SA-75-80/100	7.5	5.5	110
SD-50-80/100	5	3.7	113
SD-75-80/100	7.5	5.5	113
SC-50-80/100	5	3.7	108
SC-75-80/100	7.5	5.5	108
SVN-50-80/100	5	3.7	108
SVN-75-80/100	7.5	5.5	108